



circuit breaker 3VA1 IEC frame 630 breaking capacity class M Icu=55kA @ 415V 3-pole, line protection TM240, ATAM, In=500A overload protection Ir=350A...500A short-circuit protection Ii=5...10 x In nut keeper kit

| Model | |
|---|-----------------------------|
| product brand name | SENTRON |
| product designation | Molded case circuit breaker |
| design of the product | Line protection |
| design of the overcurrent release | TM240 |
| protection function of the overcurrent release | LI |
| number of poles | 3 |
| General technical data | |
| insulation voltage / rated value | 800 V |
| operating voltage / at DC / rated value | 500 V |
| operating voltage / at AC / rated value | 690 V |
| power loss [W] / maximum | 122.7 W |
| power loss [W] / for rated value of the current / at AC / in hot operating state / per pole | 40.9 W |
| mechanical service life (operating cycles) / typical | 20 000 |
| electrical endurance (operating cycles) / at AC-1 / at 380/415 V | 4 000 |
| electrical endurance (operating cycles) / at AC-1 / at 690 V | 3 000 |
| product feature / for neutral conductors / upgradable/retrofitable / short-circuit and overload proof | No |
| ground-fault monitoring version | Without |
| product function | |
| • communication function | No |
| • other measurement function | No |
| Net Weight | 4.976 kg |
| Current | |
| continuous current / rated value / maximum | 630 A |
| continuous current / rated value | 500 A |
| operational current | |
| • at 40 °C | 500 A |
| • at 45 °C | 500 A |
| • at 50 °C | 500 A |
| • at 55 °C | 488 A |
| • at 60 °C | 476 A |
| • at 65 °C | 464 A |
| • at 70 °C | 452 A |
| Switching capacity according to IEC 60947 | |
| switching capacity class of the circuit breaker | M |
| maximum short-circuit current breaking capacity (Icu) | |
| • at 240 V | 85 kA |
| • at 415 V | 55 kA |
| • at 440 V | 55 kA |

| | |
|--|--|
| <ul style="list-style-type: none"> • at 500 V • at 690 V | 36 kA |
| operating short-circuit current breaking capacity (Ics) | 7 kA |
| <ul style="list-style-type: none"> • at 240 V • at 415 V • at 440 V • at 500 V • at 690 V | 85 kA |
| | 55 kA |
| | 55 kA |
| | 36 kA |
| | 5 kA |
| short-circuit current making capacity (Icm) | |
| <ul style="list-style-type: none"> • at 240 V • at 415 V • at 440 V • at 500 V • at 690 V | 187 kA |
| | 121 kA |
| | 121 kA |
| | 75.6 kA |
| | 11.9 kA |
| design of short-circuit protection | For switching power values in DC networks, see the 3VA molded case circuit breaker device manual; link to be found under Service & Support in the last chapter |

Adjustable parameters

| | |
|---|---------|
| product feature / for L-tripping / can be switched on/off | No |
| adjustable response value setting current (I _r) / of the L-trip / with I _{2t} characteristic | |
| <ul style="list-style-type: none"> • minimum • maximum | 350 A |
| | 500 A |
| adjustable response value delay time (t _r) / for L-tripping / with I _{2t} characteristic | |
| <ul style="list-style-type: none"> • minimum • maximum | 1 s |
| | 1 s |
| adjustable response value setting current (I _i) / for I-tripping | |
| <ul style="list-style-type: none"> • minimum • maximum | 2 500 A |
| | 5 000 A |
| adjustable absolute value setting current (I _{nN}) / for N-tripping | |
| <ul style="list-style-type: none"> • minimum • maximum | 0 A |
| | 0 A |
| adjustable current response value current / of instantaneous short-circuit trip unit | |
| <ul style="list-style-type: none"> • minimum • maximum | 2 500 A |
| | 5 000 A |
| product function / grounding protection | No |

Mechanical Design

| | |
|---|---------|
| product component | |
| <ul style="list-style-type: none"> • undervoltage release • voltage trigger • trip indicator | No |
| | No |
| | No |
| height [in] | 9.76 in |
| height | 248 mm |
| width [in] | 5.43 in |
| width | 138 mm |
| depth [in] | 4.33 in |
| depth | 110 mm |

Connections

| | |
|---|-----------------------------|
| arrangement of electrical connectors / for main current circuit | Front terminal |
| type of electrical connection / for main current circuit | nut keeper kit on both ends |
| type of connectable conductor cross-sections / for flat-bar terminal connection / minimum | 20 x 1 mm |
| type of connectable conductor cross-sections / for flat-bar terminal connection / maximum | 35 x 10 mm |
| design of the surface / of the connections / on the top of the switch (N, 1, 3, 5) | Silver |
| design of the surface / of the connections / on the bottom of the switch (N, 2, 4, 6) | Silver |

Auxiliary circuit

| | |
|--|---|
| number of CO contacts / for auxiliary contacts | 0 |
|--|---|

Accessories

| | |
|--|-----|
| product extension / optional / motor drive | Yes |
|--|-----|

Environmental conditions

| | |
|------------------------------------|--------|
| protection class IP / on the front | IP40 |
| ambient temperature | |
| • during operation / minimum | -25 °C |
| • during operation / maximum | 70 °C |
| • during storage / minimum | -40 °C |
| • during storage / maximum | 80 °C |

Certificates

| | |
|---|---|
| reference code / according to IEC 81346-2 | Q |
|---|---|

General Product Approval

EMC

[Confirmation](#)



[Miscellaneous](#)



| Declaration of Conformity | Test Certificates | Marine / Shipping |
|---------------------------|-------------------|-------------------|
|---------------------------|-------------------|-------------------|



[Miscellaneous](#)

[Type Test Certificates/Test Report](#)

[Special Test Certificate](#)



| Marine / Shipping | other | Environment |
|-------------------|-------|-------------|
|-------------------|-------|-------------|



[Miscellaneous](#)

[Confirmation](#)

[Miscellaneous](#)

[Environmental Conformations](#)

Further information

Information on the packaging

<https://support.industry.siemens.com/cs/ww/en/view/109813875>

Information- and Downloadcenter (Catalogs, Brochures,...)

<http://www.siemens.com/lowvoltage/catalogs>

Industry Mall (Online ordering system)

<https://mall.industry.siemens.com/mall/en/en/Catalog/product?mlfb=3VA1450-5EF32-0AA0>

Service&Support (Manuals, Certificates, Characteristics, FAQs,...)

<https://support.industry.siemens.com/cs/ww/en/ps/3VA1450-5EF32-0AA0>

Image database (product images, 2D dimension drawings, 3D models, device circuit diagrams, ...)

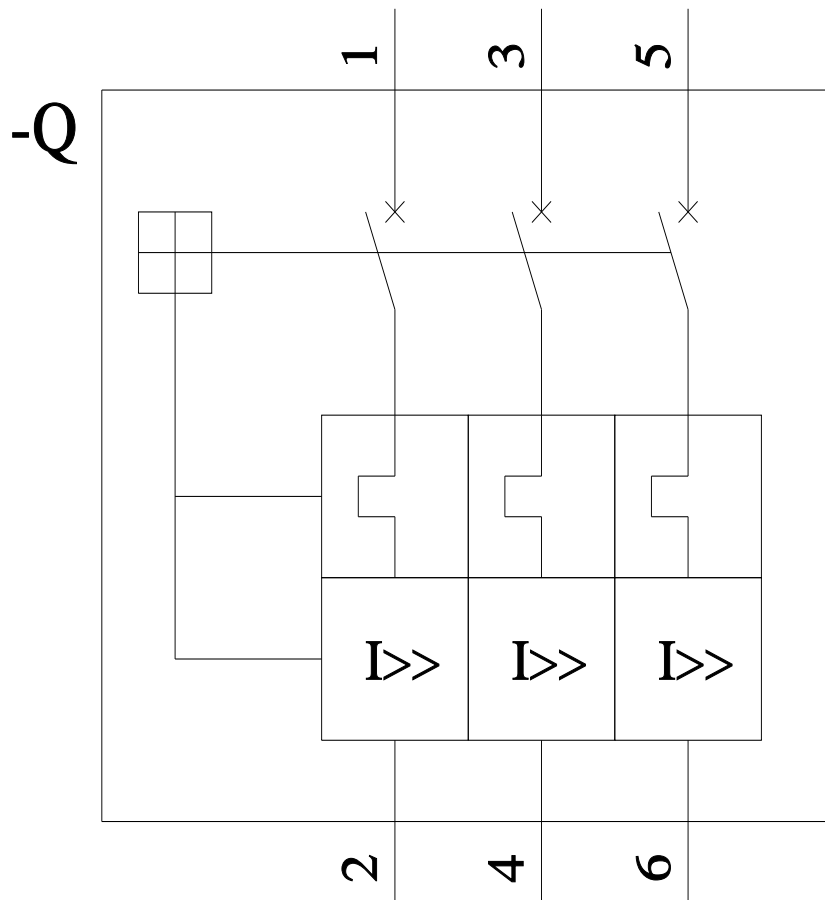
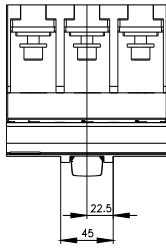
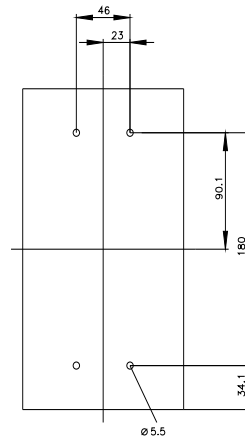
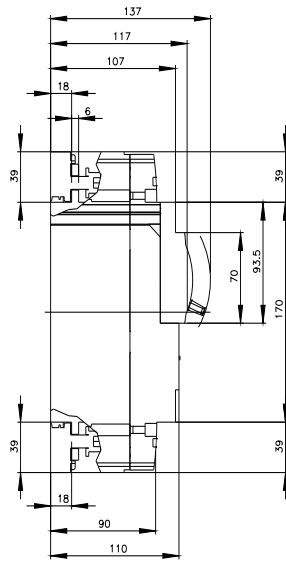
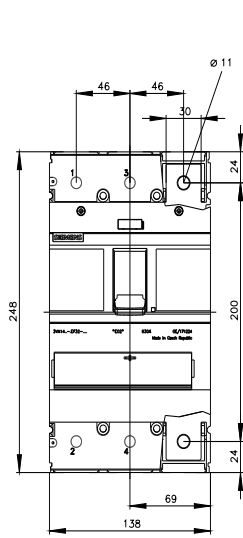
http://www.automation.siemens.com/bilddb/cax_en.aspx?mlfb=3VA1450-5EF32-0AA0

CAx-Online-Generator

<http://www.siemens.com/cax>

Tender specifications

<http://www.siemens.com/specifications>



last modified:

10/22/2022

