



SIRIUS soft starter S0 25 A, 11 kW/400 V, 40 °C 200-480 V AC, 110-230 V AC/DC Screw terminals

### General technical data

<b>product brand name</b>		SIRIUS
<b>product feature</b>		
<ul style="list-style-type: none"> <li>integrated bypass contact system</li> <li>thyristors</li> </ul>		Yes Yes
<b>product function</b>		
<ul style="list-style-type: none"> <li>intrinsic device protection</li> <li>motor overload protection</li> <li>evaluation of thermistor motor protection</li> <li>external reset</li> <li>adjustable current limitation</li> <li>inside-delta circuit</li> </ul>		Yes Yes No Yes Yes No
<b>product component motor brake output</b>		No
<b>insulation voltage rated value</b>	V	600
<b>degree of pollution</b>		3, acc. to IEC 60947-4-2
<b>reference code according to EN 61346-2</b>		Q
<b>reference code according to DIN 40719 extended according to IEC 204-2 according to IEC 750</b>		G

### Power Electronics

<b>product designation</b>		Soft starter
<b>operational current</b>		
<ul style="list-style-type: none"> <li>at 40 °C rated value</li> <li>at 50 °C rated value</li> <li>at 60 °C rated value</li> </ul>	A	25 23 21
<b>yielded mechanical performance for 3-phase motors</b>		
<ul style="list-style-type: none"> <li>at 230 V <ul style="list-style-type: none"> <li>— at standard circuit at 40 °C rated value</li> </ul> </li> <li>at 400 V <ul style="list-style-type: none"> <li>— at standard circuit at 40 °C rated value</li> </ul> </li> </ul>	kW	5.5 11
<b>yielded mechanical performance [hp] for 3-phase AC motor at 200/208 V at standard circuit at 50 °C rated value</b>	hp	5
<b>operating frequency rated value</b>	Hz	50 ... 60
<b>relative negative tolerance of the operating frequency</b>	%	-10
<b>relative positive tolerance of the operating frequency</b>	%	10
<b>operating voltage at standard circuit rated value</b>	V	200 ... 480
<b>relative negative tolerance of the operating voltage at standard circuit</b>	%	-15
<b>relative positive tolerance of the operating voltage at standard circuit</b>	%	10
<b>minimum load [%]</b>	%	20
<b>adjustable motor current for motor overload protection minimum rated value</b>	A	10

continuous operating current [% of I <sub>e</sub> ] at 40 °C	%	115
power loss [W] at operational current at 40 °C during operation typical	W	8

### Control circuit/ Control

type of voltage of the control supply voltage		AC/DC
control supply voltage frequency 1 rated value	Hz	50
control supply voltage frequency 2 rated value	Hz	60
relative negative tolerance of the control supply voltage frequency	%	-10
relative positive tolerance of the control supply voltage frequency	%	10
control supply voltage 1 at AC at 50 Hz	V	110 ... 230
control supply voltage 1 at AC at 60 Hz	V	110 ... 230
relative negative tolerance of the control supply voltage at AC at 50 Hz	%	-15
relative positive tolerance of the control supply voltage at AC at 50 Hz	%	10
relative negative tolerance of the control supply voltage at AC at 60 Hz	%	-15
relative positive tolerance of the control supply voltage at AC at 60 Hz	%	10
control supply voltage 1 at DC	V	110 ... 230
relative negative tolerance of the control supply voltage at DC	%	-15
relative positive tolerance of the control supply voltage at DC	%	10
display version for fault signal		red

### Mechanical data

size of engine control device		S0
width	mm	45
height	mm	125
depth	mm	155
fastening method		screw and snap-on mounting
mounting position		With additional fan: With vertical mounting surface +/-90° rotatable, with vertical mounting surface +/- 22.5° tiltable to the front and back Without additional fan: With vertical mounting surface +/-10° rotatable, with vertical mounting surface +/- 10° t
required spacing with side-by-side mounting		
• upwards	mm	60
• at the side	mm	15
• downwards	mm	40
wire length maximum	m	300
number of poles for main current circuit		3

### Connections/ Terminals

type of electrical connection		
• for main current circuit		screw-type terminals
• for auxiliary and control circuit		screw-type terminals
number of NC contacts for auxiliary contacts		0
number of NO contacts for auxiliary contacts		2
number of CO contacts for auxiliary contacts		1
type of connectable conductor cross-sections for main contacts for box terminal using the front clamping point		
• solid		2x (1 ... 2.5 mm <sup>2</sup> ), 2x (2.5 ... 6 mm <sup>2</sup> ), max. 1x 10 mm <sup>2</sup>
• finely stranded with core end processing		2x (1 ... 2.5 mm <sup>2</sup> ), 2x (2.5 ... 6 mm <sup>2</sup> )
type of connectable conductor cross-sections at AWG cables for main contacts for box terminal		
• using the front clamping point		1x 8, 2x (16 ... 10)
type of connectable conductor cross-sections for auxiliary contacts		
• solid		2x (0.5 ... 2.5 mm <sup>2</sup> )
• finely stranded with core end processing		2x (0.5 ... 1.5 mm <sup>2</sup> )
type of connectable conductor cross-sections at AWG cables		
• for auxiliary contacts		2x (20 ... 14)
• for auxiliary contacts finely stranded with core end		2x (20 ... 16)

processing

### Ambient conditions

<b>installation altitude at height above sea level</b>	m	5 000
<b>environmental category</b>		2K2, 2C1, 2S1, 2M2 (max. fall height 0.3 m) 1K6 (only occasional condensation), 1C2 (no salt mist), 1S2 (sand must not get inside the devices), 1M4 3K6 (no formation of ice, no condensation), 3C3 (no salt mist), 3S2 (sand must not get into the devices), 3M6
<ul style="list-style-type: none"> <li>during transport according to IEC 60721</li> <li>during storage according to IEC 60721</li> <li>during operation according to IEC 60721</li> </ul>		
<b>ambient temperature</b>	°C	-25 ... +60
<ul style="list-style-type: none"> <li>during operation</li> <li>during storage</li> </ul>	°C	-40 ... +80
<b>derating temperature</b>	°C	40
<b>protection class IP on the front according to IEC 60529</b>		IP20
<b>touch protection on the front according to IEC 60529</b>		finger-safe, for vertical contact from the front

### Certificates/ approvals

General Product Approval

EMC



[Confirmation](#)



Declaration of Conformity

Test Certificates

Marine / Shipping



[Type Test Certificates/Test Report](#)

[Special Test Certificate](#)



other

Railway

[Confirmation](#)

[Confirmation](#)

### UL/CSA ratings

<b>yielded mechanical performance [hp] for 3-phase AC motor</b>		
<ul style="list-style-type: none"> <li>at 220/230 V           <ul style="list-style-type: none"> <li>at standard circuit at 50 °C rated value</li> </ul> </li> <li>at 460/480 V           <ul style="list-style-type: none"> <li>at standard circuit at 50 °C rated value</li> </ul> </li> </ul>	hp	5
<b>contact rating of auxiliary contacts according to UL</b>	hp	15 B300 / R300

### Further information

Simulation Tool for Soft Starters (STS)

<https://support.industry.siemens.com/cs/ww/en/view/101494917>

Information- and Downloadcenter (Catalogs, Brochures,...)

<https://www.siemens.com/ic10>

Industry Mall (Online ordering system)

<https://mall.industry.siemens.com/mall/en/en/Catalog/product?mlfb=3RW4026-1BB14>

Cax online generator

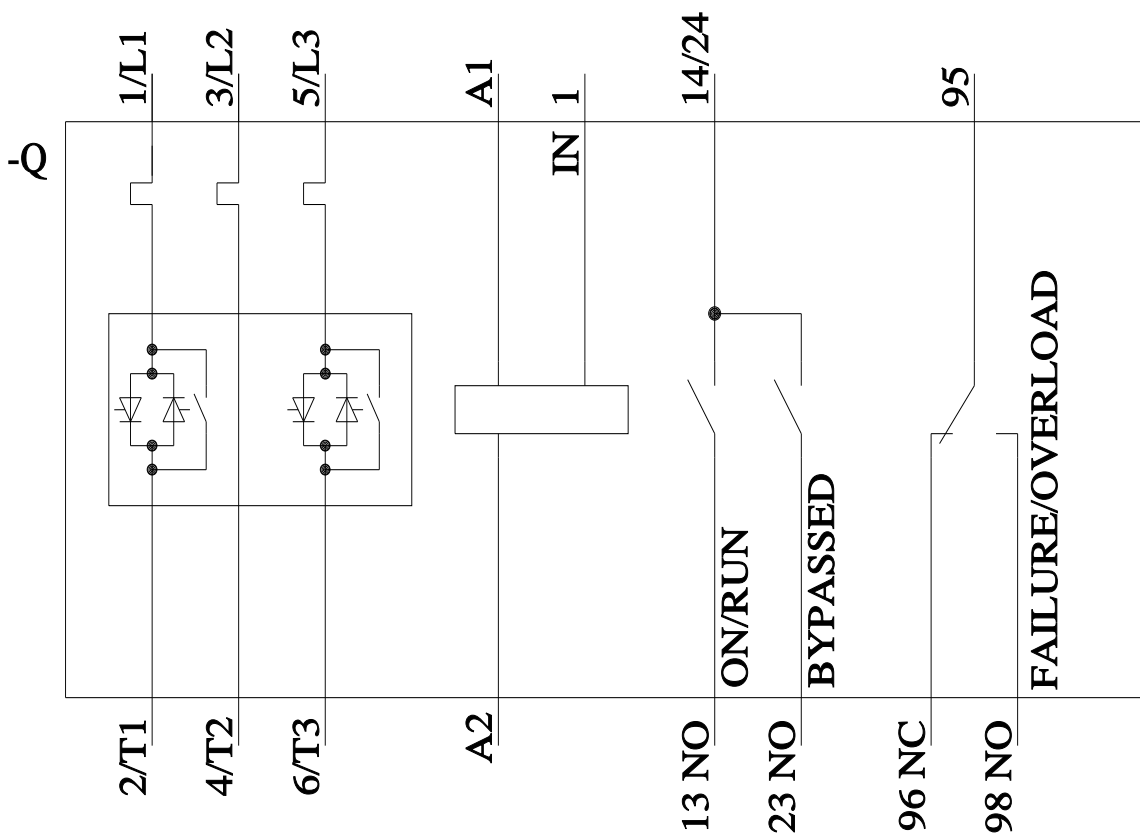
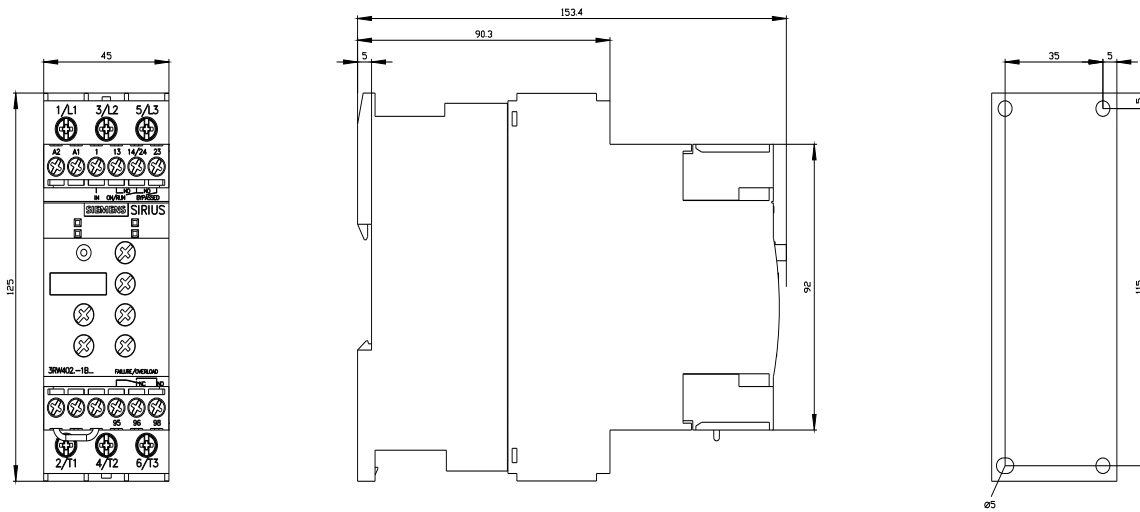
<http://support.automation.siemens.com/WW/CAXorder/default.aspx?lang=en&mlfb=3RW4026-1BB14>

Service&Support (Manuals, Certificates, Characteristics, FAQs,...)

<https://support.industry.siemens.com/cs/ww/en/ps/3RW4026-1BB14>

Image database (product images, 2D dimension drawings, 3D models, device circuit diagrams, EPLAN macros, ...)

[http://www.automation.siemens.com/bilddb/cax\\_de.aspx?mlfb=3RW4026-1BB14&lang=en](http://www.automation.siemens.com/bilddb/cax_de.aspx?mlfb=3RW4026-1BB14&lang=en)



last modified:

1/16/2022