



Circuit breaker size S00 for motor protection, CLASS 10 A-release  
0.11...0.16 A N-release 2.1 A screw terminal Standard switching capacity

product brand name	SIRIUS
product designation	Circuit breaker
design of the product	For motor protection
product type designation	3RV2

### General technical data

size of the circuit-breaker	S00
size of contactor can be combined company-specific	S00, S0
product extension auxiliary switch	Yes
power loss [W] for rated value of the current	
• at AC in hot operating state	5.5 W
• at AC in hot operating state per pole	1.8 W
insulation voltage with degree of pollution 3 at AC rated value	690 V
surge voltage resistance rated value	6 kV
shock resistance according to IEC 60068-2-27	25g / 11 ms
mechanical service life (operating cycles)	
• of the main contacts typical	100 000
• of auxiliary contacts typical	100 000
electrical endurance (operating cycles) typical	100 000
type of protection according to ATEX directive 2014/34/EU	Ex II (2) GD
certificate of suitability according to ATEX directive 2014/34/EU	DMT 02 ATEX F 001
reference code according to IEC 81346-2	Q
Substance Prohibitance (Date)	10/01/2009

### Ambient conditions

installation altitude at height above sea level maximum	2 000 m
ambient temperature	
• during operation	-20 ... +60 °C
• during storage	-50 ... +80 °C
• during transport	-50 ... +80 °C
relative humidity during operation	10 ... 95 %

### Main circuit

number of poles for main current circuit	3
adjustable current response value current of the current-dependent overload release	0.11 ... 0.16 A
operating voltage	
• rated value	20 ... 690 V
• at AC-3 rated value maximum	690 V
• at AC-3e rated value maximum	690 V
operating frequency rated value	50 ... 60 Hz
operational current rated value	0.16 A

<b>operational current</b>	
• at AC-3 at 400 V rated value	0.16 A
• at AC-3e at 400 V rated value	0.16 A
<b>operating power</b>	
• at AC-3	
— at 230 V rated value	0 kW
— at 400 V rated value	0.04 kW
— at 500 V rated value	0.1 kW
— at 690 V rated value	0.1 kW
• at AC-3e	
— at 230 V rated value	0 kW
— at 400 V rated value	0.04 kW
— at 500 V rated value	0.1 kW
— at 690 V rated value	0.1 kW
<b>operating frequency</b>	
• at AC-3 maximum	15 1/h
• at AC-3e maximum	15 1/h
<b>Auxiliary circuit</b>	
<b>number of NC contacts for auxiliary contacts</b>	0
<b>number of NO contacts for auxiliary contacts</b>	0
<b>number of CO contacts for auxiliary contacts</b>	0
<b>Protective and monitoring functions</b>	
<b>product function</b>	
• ground fault detection	No
• phase failure detection	Yes
<b>trip class</b>	CLASS 10
<b>design of the overload release</b>	thermal
<b>maximum short-circuit current breaking capacity (Icu)</b>	
• at AC at 240 V rated value	100 kA
• at AC at 400 V rated value	100 kA
• at AC at 500 V rated value	100 kA
• at AC at 690 V rated value	100 kA
<b>operating short-circuit current breaking capacity (Ics) at AC</b>	
• at 240 V rated value	100 kA
• at 400 V rated value	100 kA
• at 500 V rated value	100 kA
• at 690 V rated value	100 kA
<b>response value current of instantaneous short-circuit trip unit</b>	2.1 A
<b>UL/CSA ratings</b>	
<b>full-load current (FLA) for 3-phase AC motor</b>	
• at 480 V rated value	0.16 A
• at 600 V rated value	0.16 A
<b>Short-circuit protection</b>	
<b>product function short circuit protection</b>	Yes
<b>design of the short-circuit trip</b>	magnetic
<b>Installation/ mounting/ dimensions</b>	
<b>mounting position</b>	any
<b>fastening method</b>	screw and snap-on mounting onto 35 mm DIN rail according to DIN EN 60715
<b>height</b>	97 mm
<b>width</b>	45 mm
<b>depth</b>	97 mm
<b>required spacing</b>	
• with side-by-side mounting at the side	0 mm
• for grounded parts at 400 V	
— downwards	30 mm
— upwards	30 mm
— at the side	9 mm
• for live parts at 400 V	
— downwards	30 mm
— upwards	30 mm

— at the side	9 mm
• for grounded parts at 500 V	
— downwards	30 mm
— upwards	30 mm
— at the side	9 mm
• for live parts at 500 V	
— downwards	30 mm
— upwards	30 mm
— at the side	9 mm
• for grounded parts at 690 V	
— downwards	50 mm
— upwards	50 mm
— backwards	0 mm
— at the side	30 mm
— forwards	0 mm
• for live parts at 690 V	
— downwards	50 mm
— upwards	50 mm
— backwards	0 mm
— at the side	30 mm
— forwards	0 mm

### Connections/ Terminals

#### type of electrical connection

- for main current circuit

screw-type terminals

#### arrangement of electrical connectors for main current circuit

Top and bottom

#### type of connectable conductor cross-sections

- for main contacts
  - solid or stranded
  - finely stranded with core end processing
- at AWG cables for main contacts

2x (0,75 ... 2,5 mm<sup>2</sup>), 2x 4 mm<sup>2</sup>

2x (0.5 ... 1.5 mm<sup>2</sup>), 2x (0.75 ... 2.5 mm<sup>2</sup>)

2x (18 ... 14), 2x 12

#### tightening torque

- for main contacts with screw-type terminals

0.8 ... 1.2 N·m

#### design of screwdriver shaft

Diameter 5 to 6 mm

#### size of the screwdriver tip

Pozidriv size 2

#### design of the thread of the connection screw

- for main contacts

M3

### Safety related data

#### B10 value

- with high demand rate according to SN 31920

5 000

#### proportion of dangerous failures

- with low demand rate according to SN 31920
- with high demand rate according to SN 31920

50 %

50 %

#### failure rate [FIT]

- with low demand rate according to SN 31920

50 FIT

T1 value for proof test interval or service life according to IEC 61508

10 a

#### protection class IP on the front according to IEC 60529

IP20

touch protection on the front according to IEC 60529  
display version for switching status

finger-safe, for vertical contact from the front  
Handle

### Certificates/ approvals

General Product Approval

For use in hazard-  
ous locations

[Confirmation](#)



[KC](#)



For use in hazard-  
ous locations

Declaration of Conformity

Test Certificates

Marine / Shipping



[Type Test Certificates/Test Report](#)

[Special Test Certificate](#)



### Marine / Shipping



### other

[Confirmation](#)



### Railway

[Confirmation](#)

[Vibration and Shock](#)

### Further information

Information on the packaging

<https://support.industry.siemens.com/cs/ww/en/view/109813875>

Information- and Downloadcenter (Catalogs, Brochures,...)

<https://www.siemens.com/ic10>

Industry Mall (Online ordering system)

<https://mall.industry.siemens.com/mall/en/en/Catalog/product?mlfb=3RV2011-0AA10>

Cax online generator

<http://support.automation.siemens.com/WW/CAXorder/default.aspx?lang=en&mlfb=3RV2011-0AA10>

Service&Support (Manuals, Certificates, Characteristics, FAQs,...)

<https://support.industry.siemens.com/cs/ww/en/ps/3RV2011-0AA10>

Image database (product images, 2D dimension drawings, 3D models, device circuit diagrams, EPLAN macros, ...)

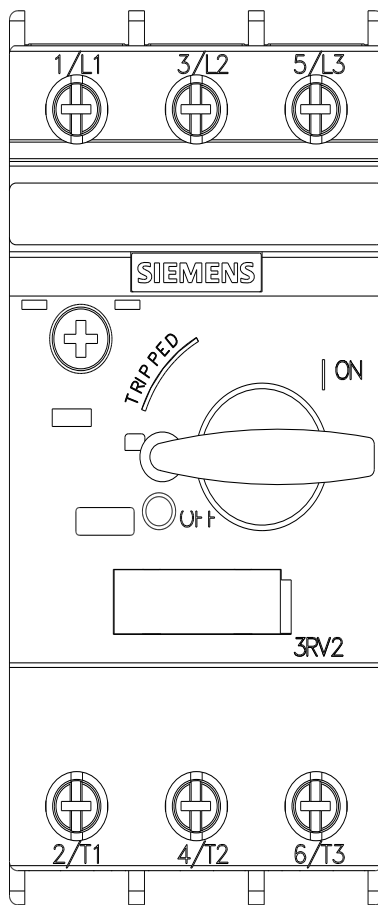
[http://www.automation.siemens.com/bilddb/cax\\_de.aspx?mlfb=3RV2011-0AA10&lang=en](http://www.automation.siemens.com/bilddb/cax_de.aspx?mlfb=3RV2011-0AA10&lang=en)

Characteristic: Tripping characteristics, I<sup>2</sup>t, Let-through current

<https://support.industry.siemens.com/cs/ww/en/ps/3RV2011-0AA10/char>

Further characteristics (e.g. electrical endurance, switching frequency)

<http://www.automation.siemens.com/bilddb/index.aspx?view=Search&mlfb=3RV2011-0AA10&objecttype=14&gridview=view1>





last modified:

11/21/2022 