



power contactor, AC-3e/AC-3, 38 A, 18.5 kW / 400 V, 3-pole, 230 V AC, 50 Hz, auxiliary contacts: 1 NO + 1 NC, screw terminal

product brand name	SIRIUS
product designation	Power contactor
product type designation	3RT2
General technical data	
size of contactor	S0
product extension	
• function module for communication	No
• auxiliary switch	Yes
power loss [W] for rated value of the current	
• at AC in hot operating state	9.6 W
• at AC in hot operating state per pole	3.2 W
• without load current share typical	9.8 W
insulation voltage	
• of main circuit with degree of pollution 3 rated value	690 V
• of auxiliary circuit with degree of pollution 3 rated value	690 V
surge voltage resistance	
• of main circuit rated value	6 kV
• of auxiliary circuit rated value	6 kV
maximum permissible voltage for safe isolation between coil and main contacts according to EN 60947-1	400 V
shock resistance at rectangular impulse	
• at AC	8,3g / 5 ms, 5,3g / 10 ms
shock resistance with sine pulse	
• at AC	13,5g / 5 ms, 8,3g / 10 ms
mechanical service life (operating cycles)	
• of contactor typical	10 000 000
• of the contactor with added electronically optimized auxiliary switch block typical	5 000 000
• of the contactor with added auxiliary switch block typical	10 000 000
reference code according to IEC 81346-2	Q
Substance Prohibitance (Date)	10/01/2009
Ambient conditions	
installation altitude at height above sea level maximum	2 000 m
ambient temperature	
• during operation	-25 ... +60 °C
• during storage	-55 ... +80 °C
relative humidity minimum	10 %
relative humidity at 55 °C according to IEC 60068-2-30 maximum	95 %
Main circuit	

number of poles for main current circuit	3
number of NO contacts for main contacts	3
operating voltage	
• at AC-3 rated value maximum	690 V
• at AC-3e rated value maximum	690 V
operational current	
• at AC-1 at 400 V at ambient temperature 40 °C rated value	50 A
• at AC-1	
— up to 690 V at ambient temperature 40 °C rated value	50 A
— up to 690 V at ambient temperature 60 °C rated value	42 A
• at AC-3	
— at 400 V rated value	38 A
— at 500 V rated value	32 A
— at 690 V rated value	21 A
• at AC-3e	
— at 400 V rated value	38 A
— at 500 V rated value	32 A
— at 690 V rated value	21 A
• at AC-4 at 400 V rated value	22 A
• at AC-5a up to 690 V rated value	44 A
• at AC-5b up to 400 V rated value	31.5 A
• at AC-6a	
— up to 230 V for current peak value n=20 rated value	30.8 A
— up to 400 V for current peak value n=20 rated value	30.8 A
— up to 500 V for current peak value n=20 rated value	30.8 A
— up to 690 V for current peak value n=20 rated value	21 A
• at AC-6a	
— up to 230 V for current peak value n=30 rated value	20.5 A
— up to 400 V for current peak value n=30 rated value	20.5 A
— up to 500 V for current peak value n=30 rated value	21.4 A
— up to 690 V for current peak value n=30 rated value	21 A
minimum cross-section in main circuit at maximum AC-1 rated value	10 mm ²
operational current for approx. 200000 operating cycles at AC-4	
• at 400 V rated value	12 A
• at 690 V rated value	12 A
operational current	
• at 1 current path at DC-1	
— at 24 V rated value	35 A
— at 60 V rated value	20 A
— at 110 V rated value	4.5 A
— at 220 V rated value	1 A
— at 440 V rated value	0.4 A
— at 600 V rated value	0.25 A
• with 2 current paths in series at DC-1	
— at 24 V rated value	35 A
— at 60 V rated value	35 A
— at 110 V rated value	35 A
— at 220 V rated value	5 A
— at 440 V rated value	1 A
— at 600 V rated value	0.8 A
• with 3 current paths in series at DC-1	
— at 24 V rated value	35 A
— at 60 V rated value	35 A

— at 110 V rated value	35 A
— at 220 V rated value	35 A
— at 440 V rated value	2.9 A
— at 600 V rated value	1.4 A
● at 1 current path at DC-3 at DC-5	
— at 24 V rated value	20 A
— at 60 V rated value	5 A
— at 220 V rated value	1 A
— at 440 V rated value	0.09 A
— at 600 V rated value	0.06 A
● with 2 current paths in series at DC-3 at DC-5	
— at 24 V rated value	35 A
— at 60 V rated value	35 A
— at 110 V rated value	15 A
— at 220 V rated value	3 A
— at 440 V rated value	0.27 A
— at 600 V rated value	0.16 A
● with 3 current paths in series at DC-3 at DC-5	
— at 24 V rated value	35 A
— at 60 V rated value	35 A
— at 110 V rated value	35 A
— at 220 V rated value	10 A
— at 440 V rated value	0.6 A
— at 600 V rated value	0.6 A
operating power	
● at AC-3	
— at 230 V rated value	11 kW
— at 400 V rated value	18.5 kW
— at 500 V rated value	18.5 kW
— at 690 V rated value	18.5 kW
● at AC-3e	
— at 230 V rated value	11 kW
— at 400 V rated value	18.5 kW
— at 500 V rated value	18.5 kW
— at 690 V rated value	18.5 kW
operating power for approx. 200000 operating cycles at AC-4	
● at 400 V rated value	6 kW
● at 690 V rated value	10.3 kW
operating apparent power at AC-6a	
● up to 230 V for current peak value n=20 rated value	12.2 kVA
● up to 400 V for current peak value n=20 rated value	21.3 kVA
● up to 500 V for current peak value n=20 rated value	26.6 kVA
● up to 690 V for current peak value n=20 rated value	25 kVA
operating apparent power at AC-6a	
● up to 230 V for current peak value n=30 rated value	8.1 kVA
● up to 400 V for current peak value n=30 rated value	14.2 kVA
● up to 500 V for current peak value n=30 rated value	18.5 kVA
● up to 690 V for current peak value n=30 rated value	25 kVA
short-time withstand current in cold operating state up to 40 °C	
● limited to 1 s switching at zero current maximum	593 A; Use minimum cross-section acc. to AC-1 rated value
● limited to 5 s switching at zero current maximum	341 A; Use minimum cross-section acc. to AC-1 rated value
● limited to 10 s switching at zero current maximum	260 A; Use minimum cross-section acc. to AC-1 rated value
● limited to 30 s switching at zero current maximum	199 A; Use minimum cross-section acc. to AC-1 rated value
● limited to 60 s switching at zero current maximum	162 A; Use minimum cross-section acc. to AC-1 rated value
no-load switching frequency	
● at AC	5 000 1/h
operating frequency	
● at AC-1 maximum	1 000 1/h
● at AC-2 maximum	750 1/h
● at AC-3 maximum	750 1/h
● at AC-3e maximum	750 1/h
● at AC-4 maximum	250 1/h

Control circuit/ Control

type of voltage of the control supply voltage	AC
control supply voltage at AC <ul style="list-style-type: none">• at 50 Hz rated value	230 V
operating range factor control supply voltage rated value of magnet coil at AC <ul style="list-style-type: none">• at 50 Hz	0.8 ... 1.1
apparent pick-up power of magnet coil at AC <ul style="list-style-type: none">• at 50 Hz	77 VA
inductive power factor with closing power of the coil <ul style="list-style-type: none">• at 50 Hz	0.82
apparent holding power of magnet coil at AC <ul style="list-style-type: none">• at 50 Hz	9.8 VA
inductive power factor with the holding power of the coil <ul style="list-style-type: none">• at 50 Hz	0.25
closing delay <ul style="list-style-type: none">• at AC	8 ... 40 ms
opening delay <ul style="list-style-type: none">• at AC	4 ... 16 ms
arcing time	10 ... 10 ms
control version of the switch operating mechanism	Standard A1 - A2

Auxiliary circuit

number of NC contacts for auxiliary contacts instantaneous contact	1
number of NO contacts for auxiliary contacts instantaneous contact	1
operational current at AC-12 maximum	10 A
operational current at AC-15 <ul style="list-style-type: none">• at 230 V rated value• at 400 V rated value• at 500 V rated value• at 690 V rated value	10 A 3 A 2 A 1 A
operational current at DC-12 <ul style="list-style-type: none">• at 24 V rated value• at 48 V rated value• at 60 V rated value• at 110 V rated value• at 125 V rated value• at 220 V rated value• at 600 V rated value	10 A 6 A 6 A 3 A 2 A 1 A 0.15 A
operational current at DC-13 <ul style="list-style-type: none">• at 24 V rated value• at 48 V rated value• at 60 V rated value• at 110 V rated value• at 125 V rated value• at 220 V rated value• at 600 V rated value	10 A 2 A 2 A 1 A 0.9 A 0.3 A 0.1 A
contact reliability of auxiliary contacts	1 faulty switching per 100 million (17 V, 1 mA)

UL/CSA ratings

full-load current (FLA) for 3-phase AC motor <ul style="list-style-type: none">• at 480 V rated value• at 600 V rated value	34 A 27 A
yielded mechanical performance [hp] <ul style="list-style-type: none">• for single-phase AC motor<ul style="list-style-type: none">— at 110/120 V rated value— at 230 V rated value• for 3-phase AC motor<ul style="list-style-type: none">— at 200/208 V rated value— at 220/230 V rated value— at 460/480 V rated value— at 575/600 V rated value	3 hp 5 hp 10 hp 10 hp 25 hp 25 hp
contact rating of auxiliary contacts according to UL	A600 / P600

Short-circuit protection

design of the fuse link

- for short-circuit protection of the main circuit
 - with type of coordination 1 required
 - with type of assignment 2 required
- for short-circuit protection of the auxiliary switch required

gG: 125A (690V,100kA), aM: 50A (690V,100kA), BS88: 125A (415V,80kA)
gG: 50A (690V,100kA), aM: 25A (690V, 100kA), BS88: 50A (415V, 80kA)
gG: 10 A (500 V, 1 kA)

Installation/ mounting/ dimensions

mounting position

+/-180° rotation possible on vertical mounting surface; can be tilted forward and backward by +/- 22.5° on vertical mounting surface

fastening method

screw and snap-on mounting onto 35 mm DIN rail according to DIN EN 60715

- side-by-side mounting

Yes

height

85 mm

width

45 mm

depth

97 mm

required spacing

- with side-by-side mounting
 - forwards
 - upwards
 - downwards
 - at the side
- for grounded parts
 - forwards
 - upwards
 - at the side
 - downwards
- for live parts
 - forwards
 - upwards
 - downwards
 - at the side

10 mm

10 mm

10 mm

0 mm

10 mm

10 mm

6 mm

10 mm

10 mm

10 mm

10 mm

6 mm

Connections/ Terminals

type of electrical connection

- for main current circuit
- for auxiliary and control circuit
- at contactor for auxiliary contacts
- of magnet coil

screw-type terminals
screw-type terminals
Screw-type terminals
Screw-type terminals

type of connectable conductor cross-sections for main contacts

- solid
- solid or stranded
- finely stranded with core end processing

2x (1 ... 2.5 mm²), 2x (2.5 ... 10 mm²)

2x (1 ... 2.5 mm²), 2x (2.5 ... 10 mm²)

2x (1 ... 2.5 mm²), 2x (2.5 ... 6 mm²), 1x 10 mm²

connectable conductor cross-section for main contacts

- solid
- stranded
- finely stranded with core end processing

1 ... 10 mm²

1 ... 10 mm²

1 ... 10 mm²

connectable conductor cross-section for auxiliary contacts

- solid or stranded
- finely stranded with core end processing

0.5 ... 2.5 mm²

0.5 ... 2.5 mm²

type of connectable conductor cross-sections

- for auxiliary contacts
 - solid or stranded
 - finely stranded with core end processing
- at AWG cables for auxiliary contacts

2x (0.5 ... 1.5 mm²), 2x (0.75 ... 2.5 mm²)

2x (0.5 ... 1.5 mm²), 2x (0.75 ... 2.5 mm²)

2x (20 ... 16), 2x (18 ... 14)

AWG number as coded connectable conductor cross section

- for main contacts
- for auxiliary contacts

16 ... 8

20 ... 14

Safety related data

product function

- mirror contact according to IEC 60947-4-1
- B10 value with high demand rate according to SN 31920
- proportion of dangerous failures**
- with low demand rate according to SN 31920
 - with high demand rate according to SN 31920
- failure rate [FIT] with low demand rate according to SN 31920
- T1 value for proof test interval or service life according to IEC 61508
- protection class IP on the front according to IEC 60529**
- touch protection on the front according to IEC 60529**
- suitability for use**
- safety-related switching OFF

Yes
450 000
40 %
73 %
100 FIT
20 a
IP20
finger-safe, for vertical contact from the front
Yes

Certificates/ approvals

General Product Approval



[Confirmation](#)



[KC](#)



EMC	Functional Safety/Safety of Machinery	Declaration of Conformity	Test Certificates
-----	---------------------------------------	---------------------------	-------------------



[Type Examination Certificate](#)



EG-Konf.

[Special Test Certificate](#)

[Type Test Certificates/Test Report](#)

Marine / Shipping



ABS



BUREAU
VERITAS



DNV



LRS



RINA



RMRS

other

[Confirmation](#)



VDE

[Confirmation](#)

Railway

[Vibration and Shock](#)

Further information

Information on the packaging

<https://support.industry.siemens.com/cs/ww/en/view/109813875>

Information- and Downloadcenter (Catalogs, Brochures,...)

<https://www.siemens.com/ic10>

Industry Mall (Online ordering system)

<https://mall.industry.siemens.com/mall/en/en/Catalog/product?mlfb=3RT2028-1AP00>

Cax online generator

<http://support.automation.siemens.com/WW/CAXorder/default.aspx?lang=en&mlfb=3RT2028-1AP00>

Service&Support (Manuals, Certificates, Characteristics, FAQs,...)

<https://support.industry.siemens.com/cs/ww/en/ps/3RT2028-1AP00>

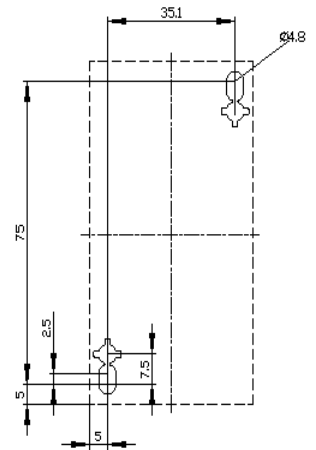
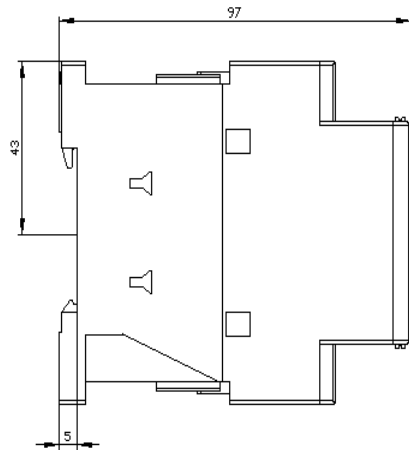
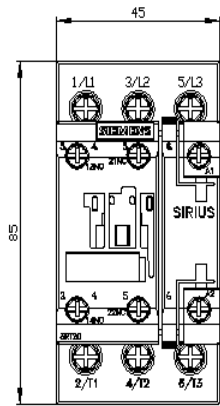
Image database (product images, 2D dimension drawings, 3D models, device circuit diagrams, EPLAN macros, ...)

http://www.automation.siemens.com/bilddb/cax_de.aspx?mlfb=3RT2028-1AP00&lang=en

Characteristic: Tripping characteristics, I²t, Let-through current

<https://support.industry.siemens.com/cs/ww/en/ps/3RT2028-1AP00/char>

Further characteristics (e.g. electrical endurance, switching frequency)







last modified:

2/10/2023 